

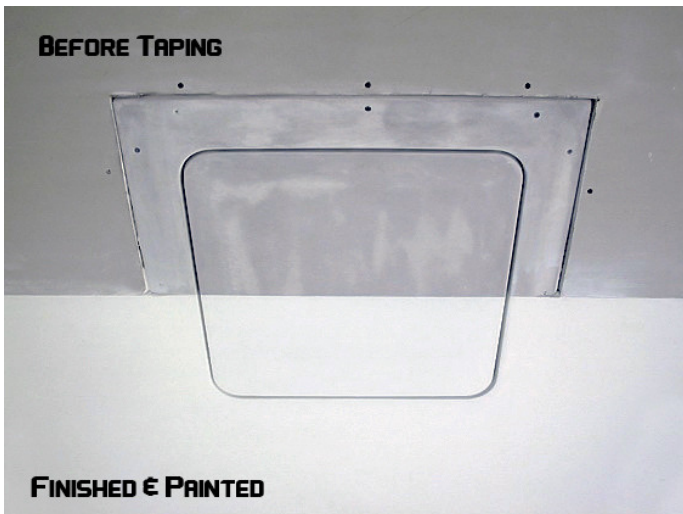
DRYWALL ACCESS DOORS

GFRG ACCESS PANELS

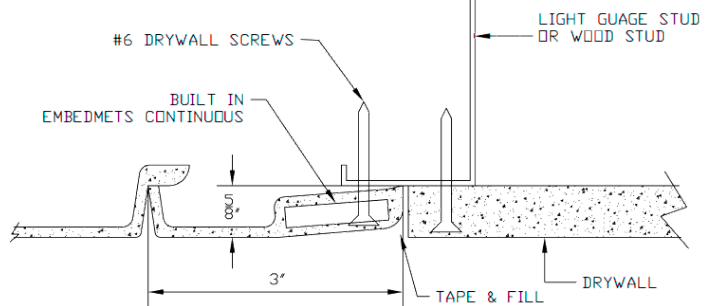
ROUND AND OVAL, LIFT AND SHIFT PANEL



Made in the USA, UP Ceiling's Phantom Panels come in a vast range of styles and sizes. Using precision made molds, our drywall access panels are made to mount flush with 5/8" gypsum board in order to reduce installation time. All panels are computer programmed to match the frames so no matter which way you put the panel back into the opening, it will always be a perfect fit. Phantom Panels come paint-ready with no extra mudding/taping required and the perimeter of the panel contains full width embedments to receive screws without fracturing or cracking the frame. Other options include square, oval, and round panels along with a hinged version of the square and radius panels, UP also offers several latch mechanisms including magnetic "touch latch", slotted cam lock, and lock and key.



LIFT AND SHIFT DETAIL

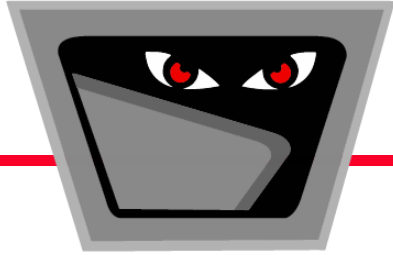


Job Name: _____

Company Name: _____

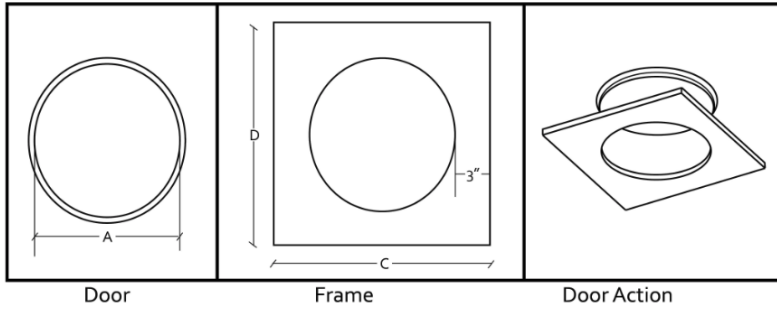
Main Contact for Project: _____

Approved By: _____



DRYWALL ACCESS DOORS

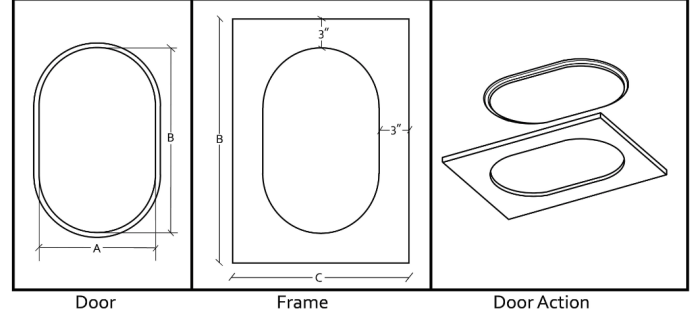
PANEL SIZING/TECHNICAL DATA



Door

Frame

Door Action



Door

Frame

Door Action

Door Size (A")	Rough Opening Size (C"xD")	Quantity
12	18x18	
16	22x22	
20	26x26	
24	30x30	

Door Size (A"xB")	Rough Opening Size (C"xD")	Quantity
10x20	16x26	
12x24	18x30	
14x28	20x34	
16x32	22x38	
18x36	24x42	
24x48	30x54	

Fire Rating

Class A Fire Rating (ASTM-E84)

Flame Spread: 0

Smoke Index: 0

Fuel Contribution: 0

Non-Combustible

Warranty

All supplied materials guaranteed against manufacturing defects for five years.

LEED Credit

MR Credits:

2.1/2.2: Construction Waste Management

4.1/4.2: Recycled Materials

5.1/5.2: Regional Materials

EQ Credits Low-Emitting Materials:

4.1: Adhesives and Sealants

4.2: Paints and Coatings

Materials/Finish

Glass Fiber Reinforced Gypsum (GFRG)

Paint-Ready Finish (GFRG Filled and Sanded)

Physical Properties

Weight: 3-7 lbs/sq ft

Density: 103-112 lbs/cu ft

Ultimate Tensile Strength: 1200-1400 psi

Impact Strength: 8.0-8.8 ft lbs/in2

Rockwell Hardness: M72

Installation:

1. Mount Access Panel Frame to studs with #6 drywall screws
2. Install surrounding drywall
3. Tape joints, fill and sand smooth
4. Apply desired finish